

DS-PWA32-H

HIKVISION

Wireless Security Control Panel UD117528

ENGLISH

Diagram References

1 Appearance

- Note: The function of GPS or 3/4G (implemented with built-in SIM card slot) depends on the model of the device.
- 1 AC Power
 - 2 Fault
 - 3 Link
 - 4 Power On
 - 5 System Fault
 - 6 No Fault
 - 7 Panel is added to Hik-connect account
 - 8 Panel is not added to Hik-connect account
 - 9 Arm /Disarm
 - 10 Alarm Occurred
 - 11 Device Tampered
 - 12 No Alarm
 - 13 SIM Card Slot
 - 14 Tamper Spring
 - 15 Reset Button
 - 16 AP&STA Switch
 - 17 Battery Connector
 - 18 Network Interface
 - 19 Power Interface

2 Installation

- Note: Remove the rear cover, and some of the components and interfaces are on the rear panel.
- Loosen the screw on the rear cover. Slide down the rear cover and remove it from the control panel.
 - Insert a SIM card into the SIM card slot.
 - Connect the battery to the control panel.
 - Connect the power adapter to the control panel and a power outlet. The power indicator turns green about 30s later, which means that the device is powered on.
 - Connect the Ethernet cable to an internet outlet. While the device is added to a Hik-Connect account, the link indicator turns green.
 - Secure the rear cover in the installation position with the supplied screws. Attach the control panel on the rear cover, and tighten the rear cover screw to complete the installation.
- ★ Side Opening
If you need to route the cable through the bottom of the panel, remove the sheet of the side opening.
- ★ TAMPER Screw
It is compulsory to secure the TAMPER screw.

3 Set Up

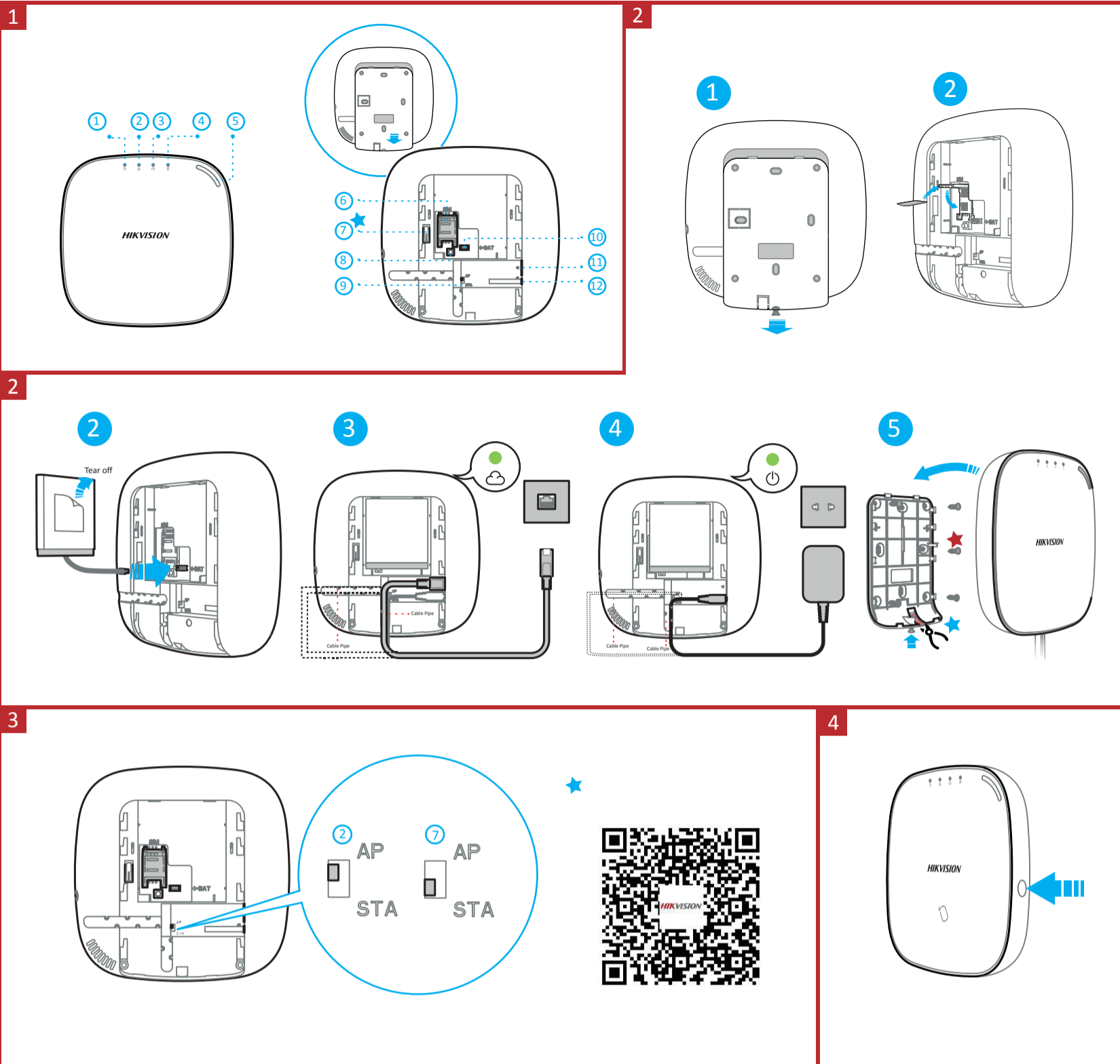
- ##### Set up via APP
- Log into the App Store or Google Play and input Hik-Connect to search and install the mobile client.
 - Log into the APP with Hik-Connect account.
 - Tap Add Device. Scan the device QR code on the rear panel (on the label).
 - Tap Connect to a Network. Select Wireless Connection (AP) as the connection mode.
 - Push the AP/STA mode switch to the AP position, tab Confirm.
 - Tap Connect to Wi-Fi on the prompt-up window. Select and connect to a stable Wi-Fi, and click Next.
 - Create a password to activate the device.
 - Push the AP/STA mode switch to the STA position.
- Note: You need to enter the Verification Code (on the device label which is pasted on the rear panel) before activation if you add the device by entering the device serial No.(SN).
- ##### Set up via Web Client
- Log into the Web Client
- Note: Default IP address when using mobile browser in the AP mode: 192.168.8.1. The device must be in the AP mode.
- Default IP address when connecting the network cable with computer directly: 192.0.0.64
- Input the device IP address in the address bar of the web browser. Create a password to activate the device and log into the web client.
- ##### Add a Camera to the Zone
- Click System/Network Camera, and you can add two cameras for the control panel.
 - Click Wireless/Zone, select a zone, click the Settings icon, and select a camera to link with the zone.
- You can also link a camera with the zone via APP, refer to the Wireless Security Control Panel User Manual for details.
- ##### Configure Video-Push
- You can view the alarm video via APP and email. For detailed settings, refer to Security Control Panel User Manual.
- ##### Set up via 4200 Client
- Download and install the VMS-4200 client.
 - Get the client software from the official website: www.hikvision.com.
 - Enter Device Management page, select the device in the Online Device List, click Edit Network Settings, change the port as 80, and click Add to Client.
- Note: You should activate the device for the first usage.
- ★ For multi-language switch, refer to Security Control Panel User Manual (scan the QR code) for details.

4 Function Button Operation

- Note: Add card or keyfob via the web client before adding peripheral device for clearing tampering alarm.
- ##### Add Peripheral Device
- While the control panel is not in the configuration mode, press the function button on the side of the control panel once and trigger a peripheral device.
- Note: Keyfobs cannot be added by function button operation.
- ##### Check RF Signal
- While the control panel is not in the configuration mode, double press the function button, and you can check the RF signal strength on the peripheral device.

Specification

Wireless Connection	Alarm Input	32
	Alarm Output	32
	Siren	2
	Keyfob	8
	Partition	1
Interaction	Audio Output	1, 1.5W
	RF Frequency	433MHz
RF	RF Modulation	2FSK
	RF Distance	800m (Open Area)
Wired Network	Ethernet	10M/100M Self-adaptive
Cellular Network	GPS, 3/4G	Supports report push-notification to ARC & Cloud, text notification via SMS, and audio notification via phone call
	Standard	802.11b/g/n
Wi-Fi	Encryption	Supported
	Channel	2.4G
Application & Protocol	Application	VMS-4200, and mobile APP
	Protocol	SIP, Contact ID
User	User	13 (1 Installer, 1 Administrator, and 11 General User)
Others	Power	5 VDC, 10W
	Consumption (without HDD)	≤5.6W
	Operation Temperature	-10°C to 55°C
	Operation Humidity	10% to 90%
	Shell Material	PC+ABS
	Dimension (WxHxD)	155 x153x35mm



DS-PD2-P10P-W

HIKVISION

Wireless 10m Pet Immune PIR Detector EN50131-2-2:2008 EN50131-1:2006+A1:2009 Environmental Class (EC) II Security Grade (SG) 2

ENGLISH

Diagram References

1 Wireless device control

2 Registration

- Please register the detector within 90 seconds after it being powered on.
- Add Locally
- Make the security control panel enter the registration mode.
 - Add the detector: Hold the registration key until the three LEDs flash alternately. The green LED will flash 8 times if the registration is finished.
 - Communication Test: Release the TAMPER spring to trigger the alarm.
- Note: The distance between the security control panel and the detector should be less than 50 cm.

3 Diagnostics (Check Signal Strength Before Mounting)

- Make sure the LED keeps green at the installation position when the detector is in the signal strength mode before mounting.

4 Brackets Wiring

Specification

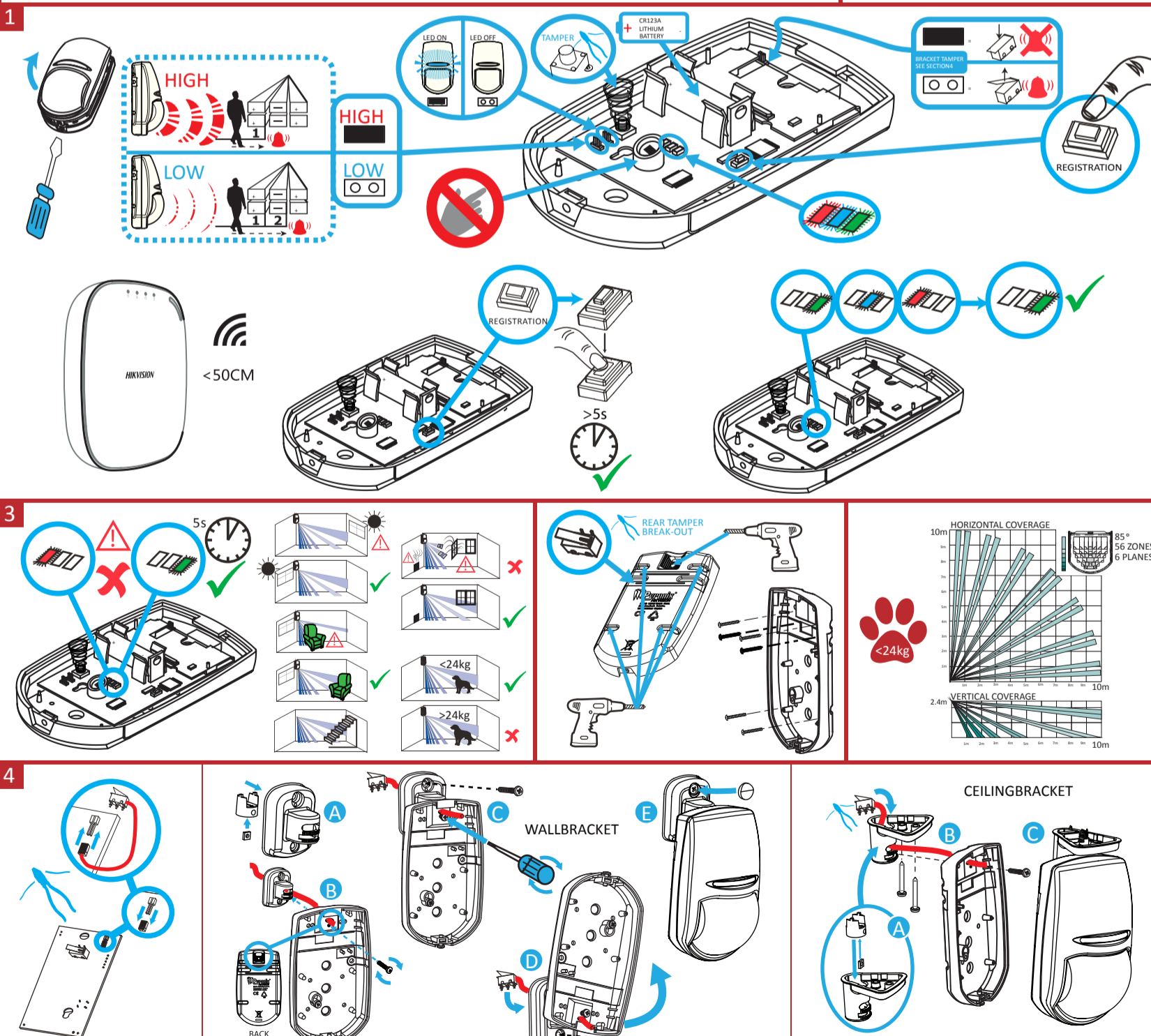
Lens characteristics	Detection Range	10m
	Detection Angle	85°
	Detection Zones	56 zones and 6 planes
	Detection Speed	0.3-3.0 m/s
Key features	Mounting Height	1.8-2.4m
	Animal Immunity	24kg
	Blue Wave Technology	Supported
	Digital Temperature Compensation	Supported
Wireless	Tamper Protection	Front, rear, and bracket tamper signal input
	Signal Strength Indicators (SSI)	Supported
	Frequency	433MHz
	Modulation	2FSK
Electrical specifications	Range in open space	800m
	3V lithium battery included	1x CR123A
Other details	General battery life (years)	2
	Operating storage	-10°C to +40°C (Certified)
Accessories	Weight	125g
	Dimensions (H x W x D)	117 x 69 x 50mm
	Ceiling Mounted Bracket	Supported
	Wall Mounted Bracket	Supported

Battery Information

- The batteries supplied have been chosen to provide long service life whilst, for safety reasons, having limited output current. The battery is protected on purchase by a piece of plastic that must be removed for operation. When disposing of the product, the battery must be removed and disposed of separately in accordance with the local regulations.

CE This product and - if applicable - the supplied accessories too are marked with "CE" and comply therefore with the applicable harmonized European standards listed under the RE Directive 2014/53/EU, the RoHS Directive 2011/65/EU.

For electrical products sold within the European Community. At the end of the electrical products life, it should not be disposed of with household waste. Please recycle where facilities exist. Check with your local Authority or retailer for recycling advice in your country.



DS-PD1-MC-WWS HIKVISION

Wireless Magnetic Contact

ENGLISH

Diagram References

The sensor can detect the door or window opening. When the door or window is open, an alarm will be triggered and it will be sent to the alarm center or mobile client via security control panel.

Door Magnetic Sensor Alarm: When the distance between the sensor and the magnetic stick is longer than 3 cm, an alarm will be triggered. The indicator will flash once.

1 Appearance

- ① Indicator
 - Alarm Detection: Red light flashes.
 - Display Signal Strength: Under the signal strength checking mode: Green - Strong Signal Red - Weak Signal
- ② Tamper
 - If the detector is disassembled, an alarm will be triggered.
- ③ Installation Datum Line on the Sensor
- ④ Installation Datum Line on the Magnetic Stick

2 Detector Power On

1. Dig the groove to disassemble the device. Remove the front and rear panel. Remove the insulating strip to power on the device.
- Note:** Do not disassemble the device with sharps.

3 Detector Registration

- ④ Register the Detector Locally
 - Power on the security control panel. Press the function button once triggering the detector. And you can add the detector according to the voice prompt.

Note: The distance between the security control panel and the detector should be less than 50 cm.

⑤ Register the Detector via APP

1. Log in to the APP Store and input "Hik-Connect" to search the mobile client.
2. Download and install Hik-Connect to your phone.
3. After installing, tap to run the client.
4. Power on the security control panel.
5. Log in the Hik-Connect and tap the icon "+" at the upper-right corner of the Hik-Connect page to add the security control panel. You can scan the QR code on the device rear panel or on the package box, or input the device serial No. manually to add the device when the device is in the registration mode.
6. After adding the security control panel, tap the arming status icon on the right of the security control panel's name to enter the Partition page.
7. Tap the "+" icon on the Partition page to add the peripherals.

4 Detector Installation

1. Check Signal Strength
 - Enter the signal checking mode by operating on the control panel.
 - Detector indicator turns green: Strong Signal.
 - Detector indicator turns red: Weak Signal.

Note: Make sure the LED keeps green at the installation position when the detector is in the signal strength mode before mounting.

2. Install the Detector
 - Paste the sponge tape on the rear side of the detector.
 - Paste the detector on the required place.

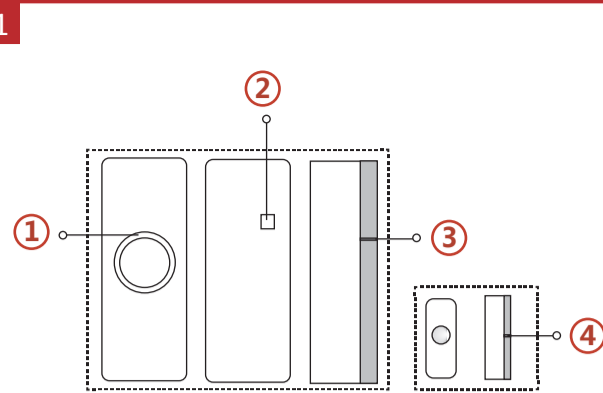
Note: To make the TAMPER work properly, the thickness of the sponge tape should be no more than 1mm.

3. Paste the sensor at the door or window's edge. Make sure the sensor is aligned with the door or window's edge.

4. Paste the magnetic stick at the door or window's edge. Make sure the magnetic stick is aligned with the door or window's edge.

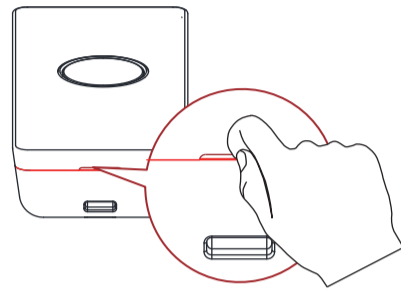
Specification

Wireless	Frequency	433MHz
	Modulation	2GFSK
	Transmission Distance	800m (Open Area)
Indicator	LED	1(Dual-Color)
	Power Supply	Battery CR123A
Tamper	Tamper	Supported
	Temperature	-10°C to 55°C
Materials and Environment	Humidity	10% to 90%
	Dimension(W*H*D)	25 x 84 x 20.99mm
	Weight	37.0g



This product and - if applicable - the supplied accessories too are marked with "CE" and comply therefore with the applicable harmonized European standards listed under the RE Directive 2014/53/EU, the EMC Directive 2014/30/EU, the LVD Directive 2014/35/EU, the RoHS Directive 2011/65/EU.

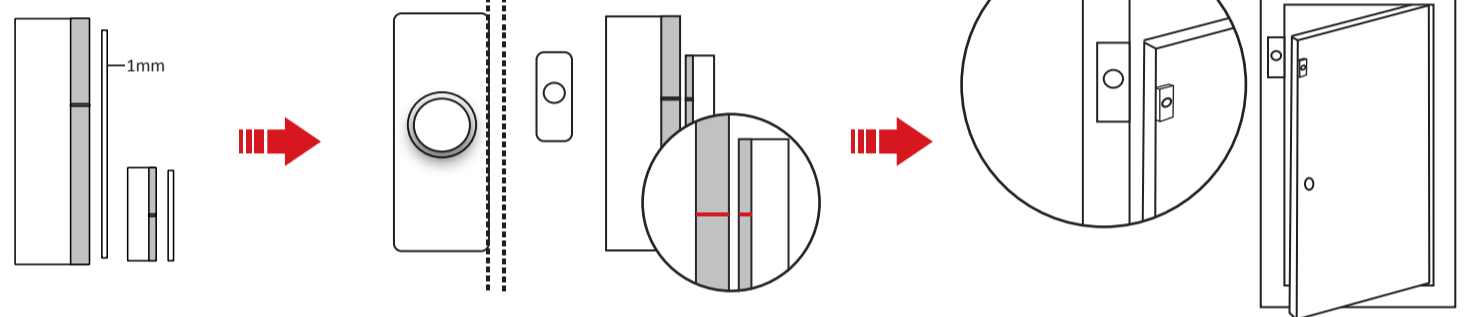
2



3



4



DS-19K00-Y HIKVISION

Wireless Keyfob

ENGLISH

Diagram References

1 Appearance

- ① Indicator
 - ② Arm
 - ③ Clear
 - ④ Stay
 - ⑤ Disarm
 - ⑥ Panic (Hold for 2s)
- Indicator
- Press the Key
 - Successful Operation

2 Installation

1. Dig the groove to disassemble the device. Remove the front and rear panel. Remove the insulating strip to power on the device.
- Note:** Do not disassemble the device with sharps.

3 Registration

Add Keyfob
You can add keyfob to the security control panel via the web client of the control panel.

1. Click System → Keyfob to enter the Keyfob Management page.
2. Click Add and press any key on the keyfob.
3. Set the keyfob parameters.
4. Click OK.

Delete Keyfob

On the Keyfob Management page, you can delete a selected keyfob or check multiple keyfobs and click Delete to delete in batch.

Note: You need to format the keyfob after deleting to unregister it from a control panel, which allows you to add the keyfob to another control panel.

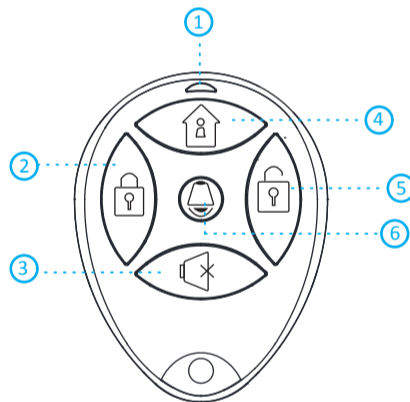
Formatting

1. Remove the battery.
2. Hold the Arm key on the keyfob, and reinstall the battery at the same time to power the keyfob on. A flashing indicator indicates that the formatting is completed.

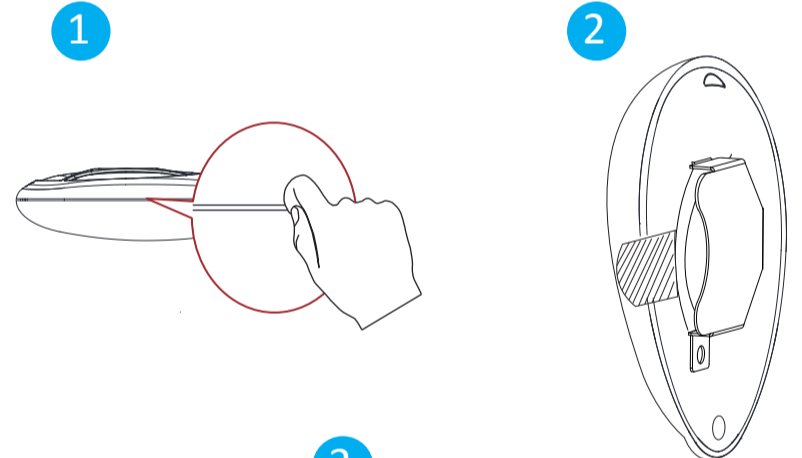
Specification

Wireless	Frequency	433MHz
	Modulation	2GFSK
	Transmission Distance	300m (Open Area)
Indicator	LED	Red: Press the Key Green: Successful Operation
	Power Supply	Battery CR2032 3.0V
Materials and Environment	Temperature	-10°C to 55°C
	Humidity	10%~90%
	Dimension(W*H*D)	63.3*48.7*16.3mm
Weight	24.5g	

1



2



3



Product Information

COPYRIGHT ©2018 Hangzhou Hikvision Digital Technology Co., Ltd.
ALL RIGHTS RESERVED.
Any and all information, including, among others, wordings, pictures, graphs are the properties of Hangzhou Hikvision Digital Technology Co., Ltd. or its subsidiaries (hereinafter referred to be "Hikvision"). This user manual (hereinafter referred to be "the Manual") cannot be reproduced, changed, translated, or distributed, partially or wholly, by any means, without the prior written permission of Hikvision. Unless otherwise stipulated, Hikvision does not make any warranties, guarantees or representations, express or implied, regarding to the Manual.

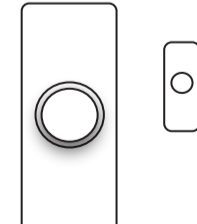
About this Manual
This Manual is applicable to the Axiom Security Control Panel Kit.
The Manual includes instructions for using and managing the product. Pictures, charts, images and all other information hereinafter are for description and explanation only. The information contained in the Manual is subject to change, without notice, due to firmware updates or other reasons. Please find the latest version in the company website (<http://overseas.hikvision.com/en/>).
Please use this user manual under the guidance of professionals.

HIKVISION Trademarks Acknowledgement and other Hikvision's trademarks and logos are the properties of Hikvision in various jurisdictions. Other trademarks and logos mentioned below are the properties of their respective owners.

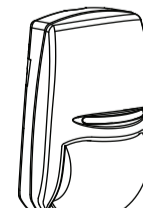
Components



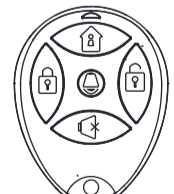
Control Panel x 1



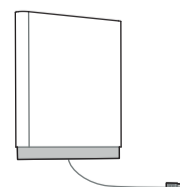
Magnetic Door Contact x 1



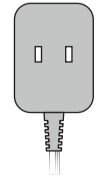
Detector x 1



Keyfob x 1



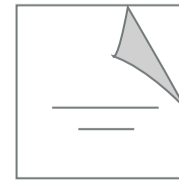
Battery x 1



Power Adapter x 1



Screw x 4



Quick Start Guide x 1

DS-PD1-MC-WWS

Wireless Magnetic Contact

FRANÇAIS	PORTUGUÊS	ITALIANO	ESPAÑOL	РУССКИЙ
Références du schéma	Referências do diagrama	Riferimento schemi	Referencias del diagrama	Пояснения к рисункам

Le capteur peut détecter l'ouverture de la porte ou de la fenêtre. Lorsque la porte ou la fenêtre est ouverte, une alarme sera déclenchée et envoyée au centre d'alarme ou au client mobile via le panneau de commandes de sécurité.
Alarme du capteur de porte magnétique : Lorsque la distance entre le sensor et la bande aimantée est supérieure à 3 cm, une alarme sera déclenchée. Le voyant clignotera une fois.
Alarme anti-sabotage : En cas de retrait du capteur, une alarme sera déclenchée.

1 Apparence

- Indicateur
 - Détection d'alarme : Le voyant rouge clignote.
- Afficher la puissance du signal :
 - Sous le mode de contrôle de la puissance du signal : Vert - Signal fort Rouge - Signal faible
- Anti-sabotage
 - Si le détecteur est démonté, une alarme sera déclenchée.
- Ligne de référence d'installation sur le capteur
- Ligne de référence d'installation sur la bande magnétique

2 Mise en marche d'un détecteur

- Creusez le sillon pour démonter l'appareil. Retirez la paroi avant et la paroi arrière. Retirez la bande isolante pour mettre l'appareil en route. **Remarque : Ne démontez pas l'appareil à l'aide d'objets pointus.**
- Montez le panneau avant et le panneau arrière en alignant la rainure sur le panneau avant avec le conducteur de lumière sur le panneau arrière.

3 Inscription d'un détecteur

- Enregistrer le détecteur localement

Allumez le panneau de commandes de sécurité. Appuyez sur le bouton de fonction une fois pour déclencher le détecteur. Vous pouvez ajouter le détecteur en suivant l'invite vocale.

Remarque : La distance entre le panneau de commandes de sécurité et le détecteur doit être inférieure à 50 cm.
- Inscription du détecteur via l'application
 - Connectez-vous à l'App Store et saisissez « Hik-Connect » pour rechercher le client mobile.
 - Téléchargez et installez Hik-Connect sur votre téléphone.
 - Après l'installation, appuyez sur **OK** pour exécuter le client.
 - Allumez le panneau de commandes de sécurité.
 - Connectez-vous à Hik-Connect et appuyez sur l'icône « + » dans le coin supérieur droit de la page Hik-Connect pour ajouter le panneau de commandes de sécurité. Vous pouvez scanner le code QR sur la paroi arrière de l'appareil ou sur la boîte de l'appareil, ou saisir manuellement le numéro de série de l'appareil pour ajouter l'appareil lorsque l'appareil est en mode inscription.
 - Après avoir ajouté le panneau de commandes de sécurité, appuyez sur l'icône d'état d'armement à droite du nom du panneau de commandes de sécurité pour accéder à la page Partition.
 - Appuyez sur l'icône « + » dans la page Partition pour ajouter les périphériques.

4 Installation du détecteur

- Vérifier la puissance du signal

Accédez au mode de vérification du signal à partir du panneau de commandes.

Le voyant du détecteur devient vert : Signal fort.
Le voyant du détecteur devient rouge : Signal faible.
Avant le montage, assurez-vous que le voyant lumineux reste vert à la position d'installation lorsque le détecteur est en mode de mesure de la force du signal.
- Installer le détecteur

Collez le ruban éponge sur la paroi arrière du détecteur.
Collez le détecteur à l'endroit désiré.

Remarque : Pour que le dispositif ANTI-SABOTAGE fonctionne correctement, l'épaisseur du ruban éponge ne doit pas dépasser 1 mm.
- Collez le capteur sur le rebord de la porte ou de la fenêtre. Assurez-vous que le capteur est aligné sur le rebord de la porte ou de la fenêtre.
- Collez la barre magnétique sur le rebord de la porte ou de la fenêtre. Assurez-vous que la barre magnétique est alignée sur le rebord de la porte ou de la fenêtre.

Specification	Especificação		
Sans fil	Fréquence <p>Modulation</p> <p>Distance de transmission</p>	433 MHz <p>2GFSK</p> <p>800 m (espace dégagé)</p>	
Indicateur	LED	1 (bicolore)	
Source d'alimentation	Batterie	CR 123A	
Anti-sabotage	Anti-sabotage	Pris en charge	
Matériaux et environnement	Température <p>Humidité</p> <p>Dimensions (L*H*P)</p> <p>Poids</p>	-10 °C à 55 °C <p>10 à 90 %</p> <p>25 x 84 x 20,99 mm</p> <p>37,0 g</p>	

O sensor pode detectar a abertura da porta ou janela. Quando a porta ou a janela for aberta, um alarme será disparado e enviado ao centro de alarmes ou ao cliente para celular através do painel de controle de segurança.
Alarme do sensor magnético da porta: Quando a distância entre o sensor e a haste magnética for maior que 3 cm, um alarme será disparado. O indicador piscará uma vez.
Alarme de violação: Se o sensor for removido, um alarme será disparado.

1 Aparência

- Indicador
 - Deteção de alarmes: A luz vermelha pisca.
- Exibir a intensidade do Sinal:
 - Em modo de verificação da intensidade do sinal: Verde - Sinal forte Vermelho - Sinal fraco
- Violação
 - Se o detector for desmontado, um alarme será disparado.
- Linha de referência de instalação no sensor
- Linha de referência de instalação na haste magnética

2 Ativação do detector

- Puxe pela ranhura para desmontar o dispositivo. Remova os painéis frontal e traseiro. Remova a tira isolante para ativar o dispositivo. **Observação: Não desmonte o dispositivo com itens afiados.**
- Monte os painéis frontal e traseiro alinhando a ranhura do indicador no painel frontal com o tubo de luz do indicador no painel traseiro.

3 Registro do detector

- Registrar o detector localmente

Ligue o painel de controle de segurança. Pressione o botão de função uma vez para disparar o detector. E você poderá adicionar o detector de acordo com o comando de voz.

Observação: a distância entre o painel de controle de segurança e o detector deve ser menor do que 50 cm.
- Registre o detector através do app
 - Entre na loja de aplicativos e digite "Hik-Connect" para pesquisar o app para celular.
 - Baix e instale o Hik-Connect no seu telefone.
 - Após a instalação, toque em **OK** para executar o app.
 - Ligue o painel de controle de segurança.
 - Faça o login no Hik-Connect e toque no ícone "+" no canto superior direito da página do Hik-Connect para adicionar o painel de controle de segurança. Você pode escanear o código QR no painel traseiro do dispositivo ou na caixa da embalagem, ou inserir o número de série do dispositivo manualmente para adicioná-lo quando ele estiver no modo de registro.
 - Depois de adicionar o painel de controle de segurança, toque no ícone de status do alarme à direita do nome do painel para entrar na página Partição.
 - Toque no ícone "+" na página Partição para adicionar os periféricos.

4 Instalação do detector

- Verificar a intensidade do Sinal

Entre no modo de verificação de sinal operando pelo painel de controle. O indicador do detector fica verde: sinal forte.
O indicador do detector fica vermelho: sinal fraco.
Observação: Não desmonte o dispositivo na posição de instalação quando o detector estiver em modo de intensidade de sinal, antes da montagem.
- instalar o detector

Cole a fita esponjosa na parte traseira do detector.
Cole o detector no local desejado.

Observação: Para fazer a proteção ANTIVIOLAÇÃO funcionar adequadamente, a espessura da fita esponjosa não deve ser maior do que 1 mm.
- Cole o sensor na borda da porta ou janela. Certifique-se de que o sensor esteja alinhado com a borda da porta ou janela.
- Cole a haste magnética na borda da porta ou janela. Certifique-se de que a haste esteja alinhada com a borda da porta ou janela.

Il sensore è in grado di individuare l'apertura di porte e finestre. In caso di apertura di porte e finestre, si attiva un allarme che verrà segnalato al centro allarmi o al cliente mobile tramite il pannello di controllo di sicurezza.
Allarme del sensore magnetico porte: Quando la distanza tra il sensore e l'asse magnetico è maggiore di 3 cm, si attiva un allarme. L'indicatore lampeggia una volta.
Allarme manomissione: In caso di rimozione del sensore, si attiva un allarme.

1 Aspetto

- Indicatore LED
 - Rilevamento di allarme: La luce rossa lampeggia.
- Indicazione intensità del segnale:
 - In modalità di controllo intensità del segnale: Verde - Segnale forte Rosso - Segnale debole
- Manomissione
 - Se il rilevatore è smontato, si attiva un allarme.
- Installazione della Linea dati sul sensore
- Installazione della Linea dati sull'asse magnetico

2 Accensione del rilevatore

- Sollievare la scanalatura per smontare il dispositivo. Rimuovere il pannello anteriore e quello posteriore. Rimuovere la striscia isolante per alimentare il dispositivo. **Nota: Non usare oggetti appuntiti per smontare il dispositivo.**
- Montare il pannello anteriore e quello posteriore, allineando la scanalatura dell'indicatore sul pannello anteriore all'illuminazione tubolare dell'indicatore sul pannello posteriore.

3 Registrazione del rilevatore

- Registrazione locale del rilevatore

Accendere il pannello di controllo di sicurezza. Premere il pulsante funzione una volta per attivare il rilevatore. Quindi è possibile aggiungere il rilevatore in base alle indicazioni del messaggio vocale.

Nota: La distanza tra il pannello di controllo di sicurezza e il rilevatore deve essere meno di 50 cm.
- Registrazione del rilevatore tramite APP
 - Accedere all'APP Store e inserire "Hik-Connect" per effettuare la ricerca del client mobile.
 - Scaricare e installare Hik-Connect sul telefono.
 - Dopo l'installazione, toccare **OK** per avviare il client.
 - Accendere il pannello di controllo di sicurezza.
 - Accedere a Hik-Connect e toccare l'icona "+" nell'angolo in alto a destra della pagina di Hik-Connect per aggiungere il pannello di controllo. È possibile aggiungere il dispositivo quando è in modalità di registrazione, effettuando la scansione del codice QR situato sul pannello posteriore del dispositivo o sulla scatola della confezione, o inserendo manualmente il numero di serie del dispositivo.
 - Dopo aver aggiunto il pannello di controllo di sicurezza, toccare l'icona dello stato di inserimento, situata a destra del nome del pannello di controllo, per accedere alla pagina Partizioni.
 - Toccare l'icoma "+" sulla pagina delle Partizioni per aggiungere le periferiche.

4 Installazione rilevatore

- Controllo intensità del segnale

Entrare in modalità di controllo segnale agendo sul pannello di controllo. L'indicatore del rilevatore diventa verde: Segnale forte.
L'indicatore del rilevatore diventa rosso: Segnale debole
Assicurarsi che il LED rimanga verde in posizione di installazione mentre il rilevatore è in modalità intensità di segnale prima del montaggio.
- Installazione del rilevatore

Applicare il nastro adesivo sul lato posteriore del rilevatore.
Applicare il rilevatore nella posizione richiesta.

Nota: Per il corretto funzionamento del sistema MANOMISSIONE, lo spessore del nastro adesivo non deve superare 1 mm.
- Applicare il sensore sul bordo di porte o finestre. Verificare che il sensore sia allineato al bordo di porte o finestre.
- Applicare l'asse magnetico sul bordo di porte o finestre. Verificare che l'asse magnetico sia allineato al bordo di porte o finestre.

El sensor puede detectar la apertura de una puerta o ventana. Cuando se abre la puerta o la ventana, se dispara una alarma que se envía al centro de alarmas o al cliente móvil a través del panel del control de seguridad.
Alarma de sensor magnético de puerta: Cuando la distancia entre el sensor y la vara magnética es mayor de 3 cm, se dispara una alarma. El indicador parpadeará una vez.
Alarma de sabotaje: al retirar el sensor, se dispara una alarma.

1 Apariencia

- Indicador
 - Detección de alarma: La luz roja parpadea.
- Indicación de intensidad de la señal:
 - En modo de comprobación de intensidad de la señal: Verde: señal fuerte Rojo: señal débil
- Sabotaje
 - Si se desmonta el detector, se disparará una alarma.
- Línea de referencia de instalación en el sensor
- Línea de referencia de instalación en la vara magnética

2 Encendido del detector

- Abra la ranura para desmontar el dispositivo. Retire el panel frontal y el panel trasero. Retire la tira aislante para encender el dispositivo. **Nota: No desmonte el dispositivo con objetos afilados.**
- Monte el panel frontal y el panel trasero alineando la ranura del indicador del panel frontal con el tubo de luz del indicador del panel trasero.

3 Registro del detector

- Registrar localmente el detector

Encienda el panel de control de seguridad. Pulse el botón de función una vez cuando se dispare el detector. Puede añadir el detector siguiendo las indicaciones acústicas.

Nota: La distancia entre el panel de control de seguridad y el detector debe ser menor de 50 cm.
- Registrar el detector a través de la aplicación
 - Inicio sesión en la App Store y escriba "Hik-Connect" para buscar el cliente móvil.
 - Descargue e instale Hik-Connect en su teléfono.
 - Después de instalarlo, pulse **OK** para ejecutar el cliente.
 - Encienda el panel de control de seguridad.
 - Inicio sesión en Hik-Connect y pulse el ícono "+" en la esquina superior derecha de la página de Hik-Connect para añadir el panel de control de seguridad. Puede escanear el código QR del panel trasero del dispositivo o del embalaje, o introducir manualmente el número de serie del dispositivo para añadirlo en modo de registro.
 - Después de añadir el panel de control de seguridad, pulse el ícono de estado de armado a la derecha del nombre del panel de control de seguridad para acceder a la página de partición.
 - Pulse el ícono "+" de la página de partición para añadir los periféricos.

4 Instalación del detector

- Comprobar la intensidad de la señal

Acceda al modo de comprobación de señal utilizando el panel de control. El indicador del detector se vuelve de color verde: Señal fuerte.
El indicador del detector se vuelve de color rojo: Señal débil.
Asegúrese de que el led se mantenga iluminado en verde en la posición de instalación cuando el detector esté en el modo de intensidad de señal antes del montaje.
- Instalar el detector

Enganche el burlete de espuma en la parte trasera del detector.
Enganche el detector en su lugar requerido.

Nota: Para que el sistema de SABOTAJE funcione correctamente, el grosor del burlete de espuma debe ser inferior a 1 mm.
- Enganche el sensor en el borde de la puerta o la ventana. Asegúrese de que el sensor esté alineado con el borde de la puerta o la ventana.
- Enganche la vara magnética en el borde de la puerta o la ventana. Asegúrese de que la vara magnética esté alineada con el borde de la puerta o la ventana.

Specification	Especificação		
Sans fil	Fréquence <p>Modulation</p> <p>Distance de transmission</p>	433 MHz <p>2GFSK</p> <p>800 m (espace dégagé)</p>	
Indicateur	LED	1 (bicolore)	
Source d'alimentation	Batterie	CR 123A	
Anti-sabotage	Anti-sabotage	Pris en charge	
Matériaux et environnement	Température <p>Humidité</p> <p>Dimensions (L*H*P)</p> <p>Poids</p>	-10 °C à 55 °C <p>10 à 90 %</p> <p>25 x 84 x 20,99 mm</p> <p>37,0 g</p>	

Specification	Especificação		
Sem fio	Frequência <p>Modulação</p> <p>Distância de transmissão</p>	433 MHz <p>2GFSK</p> <p>800 m (espaço aberto)</p>	
Indicador	LED	1 (duas cores)	
Fonte de alimentação	Bateria	CR123A	
Violação	Violação	Suportado	
Materiais e ambiente	Temperatura <p>Umidade</p> <p>Dimensões (L x A x P)</p> <p>Peso</p>	-10 °C a 55 °C <p>10% a 90%</p> <p>25 x 84 x 20,99 mm</p> <p>37,0 g</p>	

Specification	Especificação		
Wireless	Frequenza <p>Modulazione</p> <p>Distanza di trasmissione</p>	433 MHz <p>2 GFSK</p> <p>800 m (Spazi aperti)</p>	
Indicatore LED	LED	1 (A due colori)	
Alimentazione	Batteria	CR123A	
Manomissione	Manomissione	Supportato	
Materiali e ambiente	Temperatura <p>Umidità</p> <p>Dimensioni (L * A * P)</p> <p>Peso</p>	Da -10 °C a 55 °C <p>Da 10% a 90%</p> <p>25 x 84 x 20,99 mm</p> <p>37,0 g</p>	

Specification	Especificação		
Inalámbrico	Frecuencia <p>Modulación</p> <p>Distancia de transmisión</p>	433 MHz <p>2GFSK</p> <p>800 m (espacios abiertos)</p>	
Indicador	Led	1 (dos colores)	
Alimentación eléctrica	Batería	CR123A	
Sabotaje	Sabotaje	Compatible	
Materiales y entorno	Temperatura <p>Humedad</p> <p>Dimensiones (A x Al x P)</p> <p>Peso</p>	de -10 °C a 55 °C <p>10 % a 90 %</p> <p>25 x 84 x 20,99 mm</p> <p>37,0 g</p>	

Specification	Especificação		
Беспроводной	Частота <p>Модуляция</p> <p>Дальность передачи</p>	433 МГц <p>2GFSK</p> <p>800 м (на открытом пространстве)</p>	
Индикатор	Светодиод	1 (двухцветный светодиод)	
Электронпитание	Батарея	CR123A	
Взлом	Взлом	Поддерживается	
Материалы и окружающая среда	Температура <p>Влажность</p> <p>Размеры (Ш x в x Г)</p> <p>Масса</p>	от -10°С до 55°С <p>10–90 %</p> <p>25 x 84 x 20,99 мм</p> <p>37,0 г</p>	

DS-19K00-Y

Wireless Keyfob

FRANÇAIS	PORTUGUÊS	ITALIANO	ESPAÑOL	РУССКИЙ
Références du schéma	Referências do diagrama	Riferimento schemi	Referencias del diagrama	Пояснения к рисункам

1 Apparence

- Indicateur
 - Armer
 - Effacer
 - Mode à domicile
 - Désarmer
 - Panique (appuyer pendant 2 s)
- Indicateur
 - Appuyer sur la touche
 - Opération réussie

2 Installation

- Creusez le sillon pour démonter l'appareil. Retirez la paroi avant et la paroi arrière. Retirez la bande isolante pour mettre l'appareil en route. **Remarque : Ne démontez pas l'appareil à l'aide d'objets pointus.**
- Montez le panneau avant et le panneau arrière.

3 Inscription

- Ajouter une télécommande
Vous pouvez ajouter une télécommande au panneau de commandes de sécurité via le client Web du panneau de commandes.
- Remarque : Ne démontez pas l'appareil à l'aide d'objets pointus.**
- Cliquez sur **Système** → Télécommande pour accéder à la page de gestion des télécommandes.
 - Cliquez sur **Ajouter** et appuyez sur n'importe quelle touche de la télécommande.
 - Configurez les paramètres de la télécommande.
 - Cliquez sur **OK**.
- Supprimer une télécommande
Sur la page de gestion des télécommandes, vous pouvez supprimer une télécommande sélectionnée ou cocher plusieurs télécommandes et cliquer sur **Supprimer** pour supprimer un lot de télécommandes.
Remarque : Vous devez formater la télécommande après l'avoir supprimée pour la désinscrire d'un panneau de commandes, ce qui vous permet d'ajouter la télécommande à un autre panneau de commandes.
- Formatage
 - Retirez la batterie.
 - Maintenez enfoncée la touche Armer sur la télécommande, et réinstallez la batterie en même temps pour mettre la télécommande en marche. Le clignotement du voyant indique que le formatage est terminé.

Specification	Especificação		
Sans fil	Fréquence <p>Modulation</p> <p>Distance de transmission</p>	433 MHz <p>2GFSK</p> <p>300 m (espace dégagé)</p>	
Indicateur	LED	Rouge : Appuyer sur la touche Vert : Opération réussie	
Source d'alimentation	Batterie	CR2032 3,0 V	
Matériaux et environnement	Température <p>Humidité</p> <p>Dimensions (L*H*P)</p> <p>Poids</p>	-10 °C à 55 °C <p>10 à 90 %</p> <p>63,3 x 48,7 x 16,3 mm</p> <p>24,5 g</p>	

Specification	Especificação		
Sem fio	Frequência <p>Modulação</p> <p>Distância de transmissão</p>	433 MHz <p>2GFSK</p> <p>300 m (espaço aberto)</p>	
Indicador	LED	Vermelho: Pressione a tecla Verde: Operação bem-sucedida	
Fonte de alimentação	Bateria	CR2032 3,0 V	
Materiais e ambiente	Temperatura <p>Umidade</p> <p>Dimensões (L x A x P)</p> <p>Peso</p>	-10 °C a 55 °C <p>10 a 90%</p> <p>63,3 x 48,7 x 16,3 mm</p> <p>24,5 g</p>	

Specification	Especificação		
Wireless	Frequenza <p>Modulazione</p> <p>Distanza di trasmissione</p>	433 MHz <p>2 GFSK</p> <p>300 m (Spazi aperti)</p>	
Indicatore LED	LED	Rosso: Premi il tasto Verde: Operazione riuscita	
Alimentazione	Batteria	CR2032 3,0 V	
Materiali e ambiente	Temperatura <p>Umidità</p> <p>Dimensioni (L * A * P)</p> <p>Peso</p>	Da -10 °C a 55 °C <p>10%-90%</p> <p>63,3 x 48,7 x 16,3 mm</p> <p>24,5 g</p>	

Specification	Especificação		
Inalámbrico	Frecuencia <p>Modulación</p> <p>Distancia de transmisión</p>	433 MHz <p>2GFSK</p> <p>300 m (espacios abiertos)</p>	
Indicador	Led	Rojo: Pulse el botón Verde: Operación correcta	
Alimentación eléctrica	Batería	CR2032 de 3 V	
Materiales y entorno	Temperatura <p>Humedad</p> <p>Dimensiones (A x Al x P)</p> <p>Peso</p>	de -10 °C a 55 °C <p>10 %-90 %</p> <p>63,3 x 48,7 x 16,3 mm</p> <p>24,5 g</p>	

Specification	Especificação		
Беспроводной	Частота <p>Модуляция</p> <p>Дальность передачи</p>	433 МГц <p>2GFSK</p> <p>300 м (на открытом пространстве)</p>	
Индикатор	Светодиод	Красный: Нажмите кнопку Зеленый: Успешная операция	
Электронпитание	Батарея	CR2032; 3,0 В	
Материалы и окружающая среда	Температура <p>Влажность</p> <p>Размеры (Ш x в x Г)</p> <p>Масса</p>	от -10°С до 55°С <p>10–90 %</p> <p>63,3 x 48,7 x 16,3 мм</p> <p>24,5 г</p>	