

iDS-7216HQHI-M1/E TURBO HD DVR

Key Features

- Deep learning-based motion detection 2.0 for all analog channels
- Deep learning-based perimeter protection
- H.265 Pro+/H.265 Pro/H.265 video compression
- HDTVI/AHD/CVI/CVBS/IP video input
- Audio via coaxial cable
- Up to 24-ch IP camera inputs
- Up to 10 TB capacity per HDD



Compression and Recording

- H.265 Pro+ can be enabled to improve encoding efficiency and reduce data storage costs
- Full channel recording at up to 4 MP lite resolution

Storage and Playback

- Smart search for efficient playback

Smart Function

- Support multiple VCA (Video Content Analytics) events for both analog and smart IP cameras
- Support 4-ch line crossing detection and intrusion detection

Network & Ethernet Access

- Hik-Connect & DDNS (Dynamic Domain Name System) for easy network management
- Max. 96 Mbps incoming bandwidth and output bandwidth limit configurable

▪ Specification

| Motion Detection 2.0 | |
|--|--|
| Human/Vehicle Analysis | <p>Deep learning-based motion detection 2.0 is enabled by default for all analog channels, it can classify human and vehicle, and extremely reduce false alarms caused by objects like leaves and lights;</p> <p>Quick search by object or event type is supported;</p> |
| Perimeter Protection | |
| Line Crossing Detection/Intrusion Detection | 4-ch |
| Facial Detection | |
| Facial Detection and Capture | Face picture detection, face picture search |
| Recording | |
| Video Compression | H.265 Pro+/H.265 Pro/H.265/H.264+/H.264 |
| Encoding Resolution | <p>When 1080p Lite mode is not enabled: 3K lite/5 MP lite/4 MP lite/1080p/720p/VGA/WD1/4CIF/CIF;</p> <p>When 1080p Lite mode is enabled: 3K lite/5 MP lite/4 MP lite/1080p lite/720p lite/VGA/WD1/4CIF/CIF</p> |
| Frame Rate | <p>Main stream:</p> <p>When 1080p Lite mode not enabled:</p> <p>For 3K stream access: 3K lite@12fps;4 MP lite/1080p@15fps;720p/WD1/4CIF/VGA/CIF@20fps</p> <p>For 5 MP stream access: 5 MP lite@12fps;4 MP lite/1080p@15fps;720p/WD1/4CIF/VGA/CIF@20fps</p> <p>For 4 MP stream access: 4 MP lite/1080p@15fps;720p/WD1/4CIF/VGA/CIF@25fps (P)/30fps (N)</p> <p>For 1080p stream access: 1080p/720p@15fps; VGA/WD1/4CIF/CIF@25fps (P)/30fps (N)</p> <p>For 720p stream access: 720p/VGA/WD1/4CIF/CIF@25fps (P)/30fps (N)</p> <p>When 1080p Lite mode enabled:</p> <p>3K lite/5 MP lite@12fps;4 MP lite@15fps;1080p lite/720p lite/VGA/WD1/4CIF/CIF@25fps (P)/30fps (N)</p> <p>Sub-stream: WD1/4CIF@12fps; CIF@25fps (P)/30fps (N)</p> |
| Video Bitrate | 32 Kbps to 6 Mbps |
| Dual-stream | Support |
| Stream Type | Video, Video & Audio |

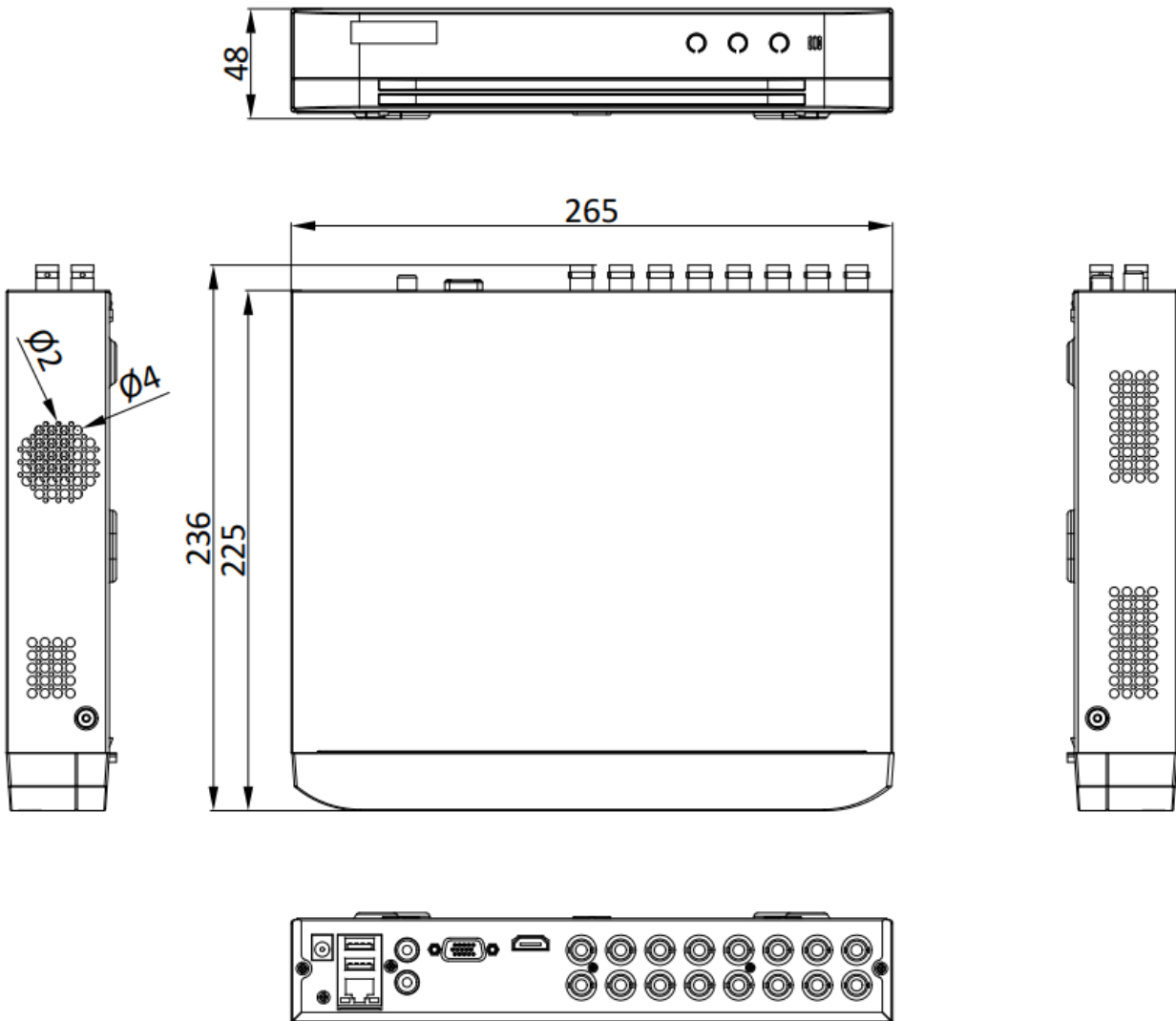
| | |
|----------------------------|--|
| Audio Compression | G.711u |
| Audio Bitrate | 64 Kbps |
| Video and Audio | |
| IP Video Input | 2-ch (up to 18-ch) Enhanced IP mode on: 8-ch (up to 24-ch), each up to 4 Mbps Up to 6 MP resolution Support H.265+/H.265/H.264+/H.264 IP cameras |
| Analog Video Input | 16-ch BNC interface (1.0 Vp-p, 75 Ω), supporting coaxitron connection |
| Incoming Bandwidth | 96 Mbps |
| HDTVI Input | 3K(2960 × 1665)@20 fps, 5 MP(2560 × 1944)@20 fps, 4 MP(2560 × 1440)@30 fps, 4 MP(2560 × 1440)@25 fps, 1080p@30 fps, 1080p@25 fps, 720p@30 fps, 720p@25 fps |
| AHD Input | 5 MP(2560 × 1944)@20 fps, 4 MP(2560 × 1440)@30 fps, 4 MP(2560 × 1440)@25 fps, 1080p@30 fps, 1080p@25 fps, 720p@30 fps, 720p@25 fps |
| HDCVI Input | 5 MP(2592 × 1944)@20 fps, 4 MP(2560 × 1440)@30 fps, 4 MP(2560 × 1440)@25 fps, 1080p@30 fps, 1080p@25 fps, 720p@30 fps, 720p@25 fps |
| CVBS Input | PAL/NTSC |
| HDMI Output | 1-ch, 4K (3840 × 2160)/30Hz, 2K (2560 × 1440)/60Hz, 1920 × 1080/60Hz, 1280 × 1024/60Hz, 1280 × 720/60Hz |
| VGA Output | 1-ch, 1920 × 1080/60Hz, 1280 × 1024/60Hz, 1280 × 720/60Hz |
| Audio Input | 1-ch, RCA (2.0 Vp-p, 1 KΩ) 16-ch via coaxial cable |
| Audio Output | 1-ch, RCA (Linear, 1 KΩ) |
| Two-Way Audio | 1-ch, RCA (2.0 Vp-p, 1 KΩ) (using the first audio input) |
| Synchronous playback | 16-ch |
| Network | |
| Remote Connection | 128 |
| Total Bandwidth | 128 Mbps |
| Network Protocol | TCP/IP, PPPoE, DHCP, Hik-Connect, DNS, DDNS, NTP, SADP, NFS, iSCSI, UPnP™, HTTPS, ONVIF |
| Network Interface | 1, RJ45 10M/100M/1000M self-adaptive Ethernet interface |
| Auxiliary Interface | |
| SATA | 1 SATA interface |

| | |
|-----------------------|---|
| Capacity | Up to 10TB capacity for each disk |
| USB Interface | Real panel: 2 × USB 2.0 |
| Alarm In/Out | N/A |
| General | |
| Power Supply | 12 VDC, 1.9 A |
| Consumption | ≤ 13 W |
| Working Temperature | -10 °C to +55 °C (+14 °F to +131 °F) |
| Working Humidity | 10% to 90% |
| Dimension (W × D × H) | 265 × 225 × 48 mm (10.4 × 8.9 × 1.9 inch) |
| Weight | ≤ 1.7 kg (3.7 lb) |

Note:

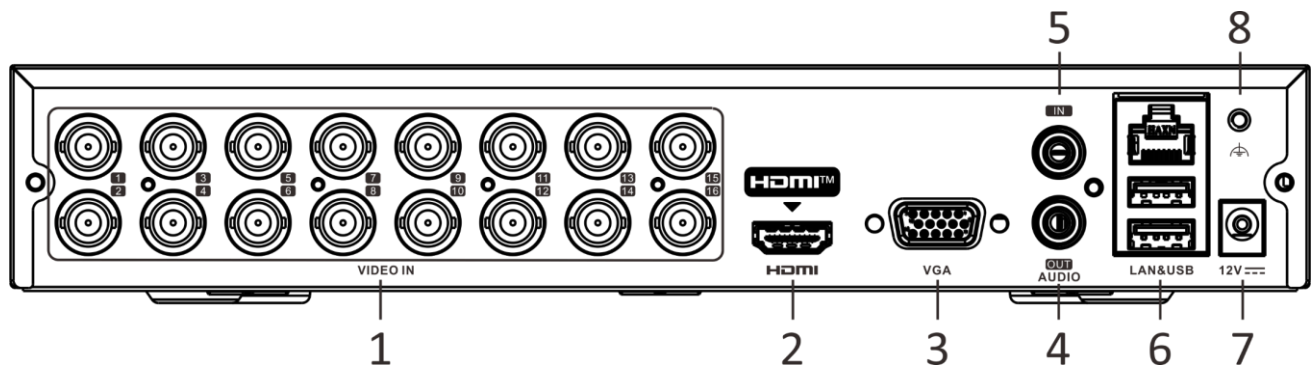
- 1: Motion detection 2.0 and perimeter protection cannot be enabled at the same time. Enable one function will make the other one unavailable.
- 2: Enhanced IP mode might be conflicted with smart events (perimeter protection) or other functions, please refer to the user manual for details.

Dimension



scale/1:1;Unit/mm

Physical Interface



| No. | Description | No. | Description |
|-----|----------------------------|-----|---|
| 1 | Video and Coaxial Audio In | 5 | AUDIO IN, RCA Connector |
| 2 | HDMI Interface | 6 | USB Interface and LAN Network Interface |
| 3 | VGA Interface | 7 | Power Input |
| 4 | AUDIO OUT, RCA Connector | 8 | GND |

Available Model

iDS-7216HQHI-M1/E

Headquarters

No.555 Qianmo Road, Binjiang District,
Hangzhou 310051, China
T +86-571-8807-5998
www.hikvision.com



Follow us on social media to get the latest product and solution information.

